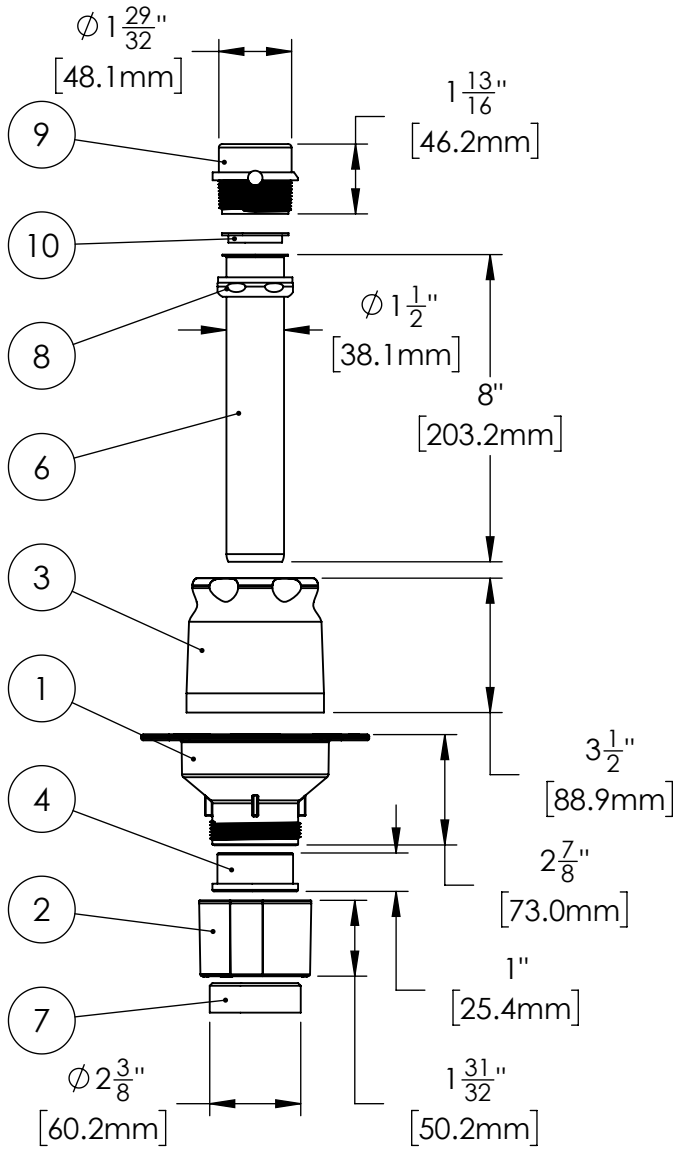




ITD51 PVC FREESTANDING TUB DRAIN

PRODUCT Specifications



PRODUCT MODEL:
ITD51

DESCRIPTION:
PVC FREESTANDING TUB
DRAIN - 1 PC BODY

CERTIFICATIONS:



Drawn by: DAVID
Date: 2024MAR04
Checked by: KEVIN
Oakville Stamping & Bending Ltd.
Units: Inches
Scale: 1:5 (line drawing)

ITEM NO.	PART NUMBER	DESCRIPTION	MATERIAL	QTY.
1	ITD-BASE	ISLAND TUB DRAIN V3 BASE	ABS	1
2	ITD-NUT-P	ISLAND TUB DRAIN V3 NUT	PVC	1
3	ITD-CAP	ISLAND TUB DRAIN V3 TILE CAP	POLYETHYLENE	1
4	4112-V3	ISLAND DRAIN SEAL EPDM V3	EPDM 60 DUROMETER	1
5	ITD-SUP-PVC	ITD SUPPLY PACK PVC		1
6	3812-8RB	1-1/2", 20 GA, 8" L	BRASS	1
7	5310W	PVC WH DWV 2 X 1-1/2" BUSHING	PVC	1
8	550B-RB	1 1/2" BRASS NUT	BRASS	1
9	5318W	1-1/2 ADPTR. SPG X MPT,WH-PVC	PVC	1
10	405FP-R	1-1/2" FLANGED WASHER	RUBBER	1



ITD51 PVC FREESTANDING TUB DRAIN

PRODUCT Specifications

PRODUCT MODEL:
ITD51

DESCRIPTION:
PVC FREESTANDING TUB
DRAIN - 1 PC BODY

CERTIFICATIONS:



Drawn by: DAVID
Date: 2024MAR04
Checked by: KEVIN
Oakville Stamping & Bending Ltd.
Units: Inches
Scale: 2:3 (line drawing)

